



INDUSTRIAL CONTROL

PRESENSE PHOTOELECTRIC SENSORS

VLQ18 Series

Benefits

- Comfortable and fast teaching procedure
- Comfortable thanks to display LEDs visible from all sides
- Maximum flexibility thanks to uniform housing design
- Sealed housing for absolute impermeability
- Exact positioning and detection of small parts
- Long detection distance
- Excellent performance
- Wide range of models for different applications type

Diffuse sensor -

- Precise detection
- Detects objects with various shapes and surfaces even more reliably
- Visible or Infrared LED for all accuracy requirements
- Range of up to 450 mm
- Response times < 1 ms
- Axial optics
- Flush installation
- Compact body for space saving

Retro-reflective sensors

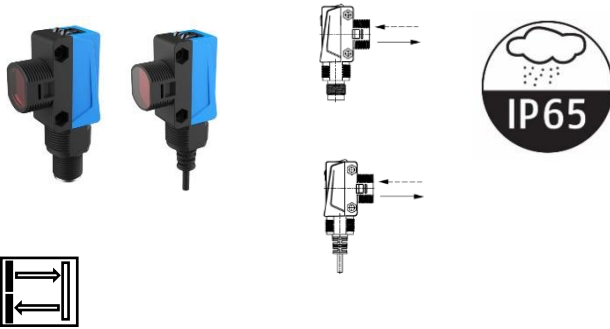
- Visible and Infrared LED
- Range of up to 6.5 m
- Response times < 1 ms
- Detection of transparent objects
- Axial optics
- Flush installation
- Compact body for space saving

Through beam sensors

- Infrared light source
- Range of up to 12 m
- Regulation of transmit power via potentiometer
- Axial optics
- Compact body for space saving



Diffuse photoelectric proximity sensors series



PRODUCT HIGHLIGHTS

- Excellent performance for numerous applications
 - ✓ Through-beam radial type: up to 12m
 - ✓ Retroreflection radial type: up to 6.5m
 - ✓ Diffuse reflection radial type: up to 450mm
- 24v DC type
- Ultra-small sensor: Tubular short M18 size body
- Robust plastic housings (IP 65)
- High device availability in industrial environments, using integrated IC manufacturing, strong anti-jamming performance.
- Range between -25 °C ... +55 °C

Optical data		Functions	
Sensing distance	See Selection Table	Indicator LED, green	Operating voltage indicator
Type of light	See Selection Table	Indicator LED, yellow	Switching output indicator
Light spot size	See Selection Table	Sensitivity adjustment	Via potentiometer
Emitting element	Red LED (peak emission wavelength 630nm, modulated) Infrared LED (peak emission wavelength 850 nm, modulated)	Adjustment possibilities	N.O./N.C. via control input (IN)
Minimum sensing object	<ul style="list-style-type: none"> • Through-beam type: Ø18mm or more opaque object (Setting distance between emitter and receiver is 12m) • Retroreflective type: Ø54mm or more opaque, translucent or transparent object(note2,4) • Diffuse type: Opaque, translucent or transparent object (note 1) 	Default settings	Max. scanning distance and N.O.
Electrical data		Mechanical data	
Operating voltage, +U_a	10 ~30V/DC	Dimensions	See dimensional drawings
No-load current, I₀	≤ 30 mA	Enclosure rating	IP 65
Output current, I_e	≤ 100 mA	Material, housing	ABS
Protective circuits	Reverse-polarity protection, U _a / short-circuit protection, 500V AC for one min. between all supply terminals connected together and enclosure	Material, front screen	PMMA
Switching output, Q	PNP/NPN	Type of connection	See Selection Table
Output function	N.O./N.C	Ambient temperature: operation	-25 ... +55 °C
Switching frequency, f (ti/tp 1:1)	≤ 1000 Hz	Weight (plug device)	Approx. 20 g
Response time	≤ 1 ms	Weight (2M cable device)	Approx. 60 g
Control input: Potentiometer	+ = NC - = NO	Distance Control: Potentiometer	0.....Distance
Environmental resistance		EMC	
Population degree	3 (industrial environment)	EMC	EN60947-5-2
Protection	IP65(IEC)	Vibration resistance	10-55Hz frequency,0.5mm amplitude in X,Y and Z directions for 1.5 hours each
Temperature	-25 ~+55°C(No dew condensation or icing allowed), Storage: -40 ~+70°C	Shock resistance	294m/s acceleration (30G approx.) in X, Y and Z directions for three times each
Humidity	50% RH (70°C)		
Light intensity	Incandescent light: less than 5,000Lux/Sunlight: less than 10,000Lux		

(1) With connected IP65 plug

(2) The default measure temperature conditions is +23 °C, when didn't specify measure condition.

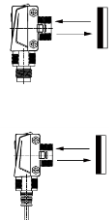
(3) Detection range and objects of Retroreflective type sensor apply to TD-08 reflector.

(4) Detection range and hysteresis of diffuse reflective type sensor apply to detection objects of gloss white paper (200x200mm).

(5) Please use actual sensor to validate testing effect, before testing transparent or translucent object.

Type	Sensing distance (Sn)	Light source	Power supply	Switching output	Switching mode	Connectio type	Housing Material	Part Number
Diffuse axial type	0 ... 800 mm	Red light	10 ~30V/DC	PNP	NO/NC	Plastic plug, M12, 4-pin	Plastic	VLQ18-D-PZD-450CR
Diffuse axial type	0 ... 800 mm	Red light	10 ~30V/DC	NPN	NO/NC	Plastic plug, M12, 4-pin	Plastic	VLQ18-D-NZD-450CR
Diffuse axial type	0 ... 800 mm	Red light	10 ~30V/DC	PNP	NO/NC	Cable, 2 m, 4-wire	Plastic	VLQ18-D-PZD-450YR
Diffuse axial type	0 ... 800 mm	Red light	10 ~30V/DC	NPN	NO/NC	Cable, 2 m, 4-wire	Plastic	VLQ18-D-NZD-450YR
Diffuse axial type	0 ... 800 mm	Infrared light	10 ~30V/DC	PNP	NO/NC	Plastic plug, M12, 4-pin	Plastic	VLQ18-D-PZD-450CI
Diffuse axial type	0 ... 800 mm	Infrared light	10 ~30V/DC	NPN	NO/NC	Plastic plug, M12, 4-pin	Plastic	VLQ18-D-NZD-450CI
Diffuse axial type	0 ... 800 mm	Infrared light	10 ~30V/DC	PNP	NO/NC	Cable, 2 m, 4-wire	Plastic	VLQ18-D-PZD-450YI
Diffuse axial type	0 ... 800 mm	Infrared light	10 ~30V/DC	NPN	NO/NC	Cable, 2 m, 4-wire	Plastic	VLQ18-D-NZD-450YI
Diffuse radial type	0 ... 450 mm	Infrared light	10 ~30V/DC	PNP	NO/NC	Plastic plug, M12, 4-pin	Plastic	VLQ18-D-PZD-C450CI
Diffuse radial type	0 ... 450 mm	Infrared light	10 ~30V/DC	NPN	NO/NC	Plastic plug, M12, 4-pin	Plastic	VLQ18-D-NZD-C450CI
Diffuse radial type	0 ... 450 mm	Infrared light	10 ~30V/DC	PNP	NO/NC	Cable, 2 m, 4-wire	Plastic	VLQ18-D-PZD-C450YI
Diffuse radial type	0 ... 450 mm	Infrared light	10 ~30V/DC	NPN	NO/NC	Cable, 2 m, 4-wire	Plastic	VLQ18-D-NZD-C450YI

Retroreflective photoelectric proximity sensors series



PRODUCT HIGHLIGHTS

- Excellent performance for numerous applications
 - ✓ Through-beam radial type: up to 12m
 - ✓ Retroreflection radial type: up to 6.5m
 - ✓ Diffuse reflection radial type: up to 450mm
- 24v DC type
- Ultra-small sensor: Tubular short M18 size body
- Robust plastic housings (IP 65)
- High device availability in industrial environments, using integrated IC manufacturing, strong anti-jamming performance.
- Range between -25 °C ... +55 °C



Optical data		Functions	
Sensing distance	See Selection Table	Indicator LED, green	Operating voltage indicator
Type of light	See Selection Table	Indicator LED, yellow	Switching output indicator
Light spot size	See Selection Table	Sensitivity adjustment	Via potentiometer
Emitting element	Red LED (peak emission wavelength 630nm, modulated) Infrared LED (peak emission wavelength 850 nm, modulated)	Adjustment possibilities	N.O./N.C. via control input (IN)
Minimum sensing object	<ul style="list-style-type: none"> • Through-beam type: Ø18mm or more opaque object (Setting distance between emitter and receiver is 12m) • Retroreflective type: Ø54mm or more opaque, translucent or transparent object(note2,4) • Diffuse type: Opaque, translucent or transparent object (note 5) 	Default settings	Max. scanning distance and N.O.
Electrical data		Mechanical data	
Operating voltage, +U _s	10 ~30V/DC	Dimensions	See dimensional drawings
No-load current, I ₀	≤ 30 mA	Enclosure rating	IP 65
Output current, I _e	≤ 100 mA	Material, housing	ABS
Protective circuits	Reverse-polarity protection, U _s / short-circuit protection, 500V AC for one min. between all supply terminals connected together and enclosure	Material, front screen	PMMA
Switching output, Q	PNP/NPN	Type of connection	See Selection Table
Output function	N.O./N.C	Ambient temperature: operation	-25 ... +55 °C
Switching frequency, f (ti/tp 1:1)	≤ 1000 Hz	Weight (plug device)	Approx. 20 g
Response time	≤ 1 ms	Weight (2M cable device)	Approx. 60 g
Control input: Potentiometer	+ = NC - = NO	Distance Control: Potentiometer	0.....Distance
Environmental resistance		EMC	
Population degree	3 (industrial environment)	EMC	EN60947-5-2
Protection	IP65(IEC)	Vibration resistance	10~55Hz frequency,0.5mm amplitude in X, Y and Z directions for 1.5 hours each
Temperature	-25 ~+55°C(No dew condensation or icing allowed), Storage: -40 ~+70°C	Shock resistance	294m/s acceleration (30G approx.) in X, Y and Z directions for three times each
Humidity	50% RH (70°C)		
Light intensity	Incandescent light: less than 3,000Lux/Sunlight: less than 10,000Lux		

(1) With connected IP 65 plug

(2) The default measure temperature conditions is +23 °C, when didn't specify measure condition.

(3) Detection range and objects of Retroreflective type sensor apply to TD-08 reflector.

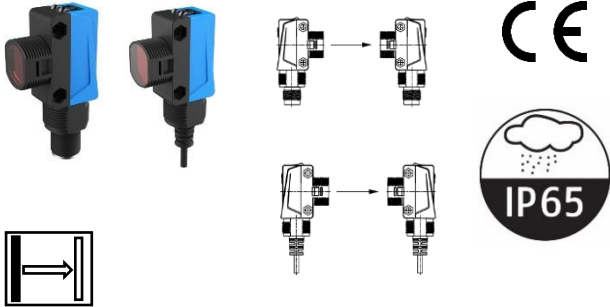
(4) Detection range and hysteresis of diffuse reflective type sensor apply to detection objects of gloss white paper (200x200mm).

(5) Please use actual sensor to validate testing effect, before testing transparent or translucent object.

Type	Sensing distance (S _n)	Light source	Power supply	Switching output	Switching mode	Connectio type	Housing Material	Part Number
Retroreflective axial type	0 ... 6500mm	Red light	10 ~30V/DC	PNP	NO/NC	Plastic plug, M8, 4-pin	Plastic	VLQ18-D-PZM-6.5CR
Retroreflective axial type	0 ... 6500mm	Red light	10 ~30V/DC	NPN	NO/NC	Plastic plug, M8, 4-pin	Plastic	VLQ18-D-NZM-6.5CR
Retroreflective axial type	0 ... 6500mm	Red light	10 ~30V/DC	PNP	NO/NC	Cable, 2 m, 4-wire	Plastic	VLQ18-D-PZM-6.5YR
Retroreflective axial type	0 ... 6500mm	Red light	10 ~30V/DC	NPN	NO/NC	Cable, 2 m, 4-wire	Plastic	VLQ18-D-NZM-6.5YR
Retroreflective axial type	0 ... 6500mm	Infrared light	10 ~30V/DC	PNP	NO/NC	Plastic plug, M8, 4-pin	Plastic	VLQ18-D-PZM-6.5CI
Retroreflective axial type	0 ... 6500mm	Infrared light	10 ~30V/DC	NPN	NO/NC	Plastic plug, M8, 4-pin	Plastic	VLQ18-D-NZM-6.5CI
Retroreflective axial type	0 ... 6500mm	Infrared light	10 ~30V/DC	PNP	NO/NC	Cable, 2 m, 4-wire	Plastic	VLQ18-D-PZM-6.5YI
Retroreflective axial type	0 ... 6500mm	Infrared light	10 ~30V/DC	NPN	NO/NC	Cable, 2 m, 4-wire	Plastic	VLQ18-D-NZM-6.5YI
Retroreflective radial type	0 ... 6500mm	Infrared light	10 ~30V/DC	PNP	NO/NC	Plastic plug, M8, 4-pin	Plastic	VLQ18-D-PZM-C6.5CI
Retroreflective radial type	0 ... 6500mm	Infrared light	10 ~30V/DC	NPN	NO/NC	Plastic plug, M8, 4-pin	Plastic	VLQ18-D-NZM-C6.5CI
Retroreflective radial type	0 ... 6500mm	Infrared light	10 ~30V/DC	PNP	NO/NC	Plastic plug, M8, 4-pin	Plastic	VLQ18-D-PZM-C6.5YI
Retroreflective radial type	0 ... 6500mm	Infrared light	10 ~30V/DC	NPN	NO/NC	Plastic plug, M8, 4-pin	Plastic	VLQ18-D-NZM-C6.5YI

(1): The sensing distance of the Retroreflection type is referring to the reflector TD-08. The sensing distance represents the detectable range of the detection object.

Through-beam photoelectric proximity sensors series



PRODUCT HIGHLIGHTS

- Excellent performance for numerous applications
- Excellent performance for numerous applications
 - ✓ Through-beam radial type: up to 12m
 - ✓ Retroreflection radial type: up to 6.5m
 - ✓ Diffuse reflection radial type: up to 450mm
- 24v DC type
- Ultra-small sensor: Tubular short M18 size body
- Robust plastic housings (IP 65)
- High device availability in industrial environments, using integrated IC manufacturing, strong anti-jamming performance.
- Range between -25 °C ... +55 °C

Optical data		Functions	
Sensing distance	See Selection Table	Indicator LED, green	Operating voltage indicator
Type of light	See Selection Table	Indicator LED, yellow	Switching output indicator
Light spot size	See Selection Table	Sensitivity adjustment	Via potentiometer
Emitting element	Red LED (peak emission wavelength 630nm, modulated) Infrared LED (peak emission wavelength 850 nm, modulated)	Adjustment possibilities	N.O./N.C. via control input (IN)
Minimum sensing object	<ul style="list-style-type: none"> • Through-beam type: Ø18mm or more opaque object (Setting distance between emitter and receiver is 12m) • Retroreflective type: Ø54mm or more opaque, translucent or transparent object(note2,4) • Diffuse type: Opaque, translucent or transparent object (note 5) 	Default settings	Max. scanning distance and N.O.
Electrical data		Mechanical data	
Operating voltage, +UB	10 ~30V/DC	Dimensions	See dimensional drawings
No-load current, I0	≤ 30 mA	Enclosure rating	IP 65
Output current, Ie	≤ 100 mA	Material, housing	ABS
Protective circuits	Reverse-polarity protection, Us / short-circuit protection, 500V AC for one min. between all supply terminals connected together and enclosure	Material, front screen	PMMA
Switching output, Q	PNP/NPN	Type of connection	See Selection Table
Output function	N.O./N.C.	Ambient temperature: operation	-25 ... +55 °C
Switching frequency, f (ti/tp 1:1)	≤ 1000 Hz	Weight (plug device)	Approx. 20 g
Response time	≤ 1 ms	Weight (2M cable device)	Approx. 60 g
Control input: Potentiometer	+ = NC - = NO	Distance Control: Potentiometer	0.....Distance
Environmental resistance		EMC	
Population degree	3(industrial environment)	EMC	EN60947-5-2
Protection	IP65(IEC)	Vibration resistance	10~55Hz frequency,0.5mm amplitude in X, Y and Z directions for 1.5 hours each
Temperature	-25 ~+55°C(No dew condensation or icing allowed), Storage: -40 ~+70°C	Shock resistance	294m/s acceleration (30G approx.) in X, Y and Z directions for three times each
Humidity	50% RH (70°C)		
Light intensity	Incandescent light: less than 3,000Lux/Sunlight: less than 10,000Lux		

(1) With connected IP 65 plug

(2) The default measure temperature conditions is +23 °C, when didn't specify measure condition.

(3) Detection range and objects of Retroreflective type sensor apply to TD-08 reflector.

(4) Detection range and hysteresis of diffuse reflective type sensor apply to detection objects of gloss white paper (200x200mm).

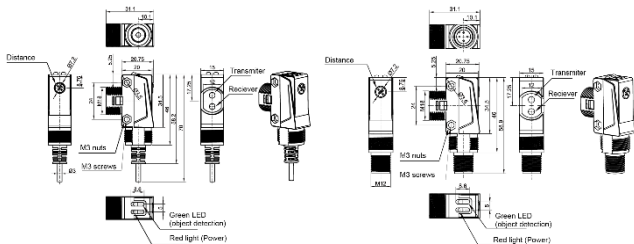
(5) Please use actual sensor to validate testing effect, before testing transparent or translucent object.

Type	Sensing distance (Sn)	Light source	Power supply	Switching output	Switching mode	Connectio type	Housing Material	Part Number
Through-beam axial type	0 ... 22m	Red light	10 ~30V/DC	PNP	NO/NC	Plastic plug, M12, 4-pin	Plastic	VLQ18-D-PZT-22CR
Through-beam axial type	0 ... 22m	Red light	10 ~30V/DC	NPN	NO/NC	Plastic plug, M12, 4-pin	Plastic	VLQ18-D-NZT-22CR
Through-beam axial type	0 ... 22m	Red light	10 ~30V/DC	PNP	NO/NC	Cable, 2 m, 4-wire	Plastic	VLQ18-D-PZT-22YR
Through-beam axial type	0 ... 22m	Red light	10 ~30V/DC	NPN	NO/NC	Cable, 2 m, 4-wire	Plastic	VLQ18-D-NZT-22YR
Through-beam axial type	0 ... 22m	Infrared light	10 ~30V/DC	PNP	NO/NC	Plastic plug, M12, 4-pin	Plastic	VLQ18-D-PZT-22CI
Through-beam axial type	0 ... 22m	Infrared light	10 ~30V/DC	NPN	NO/NC	Plastic plug, M12, 4-pin	Plastic	VLQ18-D-NZT-22CI
Through-beam axial type	0 ... 22m	Infrared light	10 ~30V/DC	PNP	NO/NC	Cable, 2 m, 4-wire	Plastic	VLQ18-D-PZT-22YI
Through-beam axial type	0 ... 22m	Infrared light	10 ~30V/DC	NPN	NO/NC	Cable, 2 m, 4-wire	Plastic	VLQ18-D-NZT-22YI
Through-beam radial type	0 ... 22m	Infrared light	10 ~30V/DC	PNP	NO/NC	Plastic plug, M12, 4-pin	Plastic	VLQ18-D-PZT-C22CI
Through-beam radial type	0 ... 22m	Infrared light	10 ~30V/DC	NPN	NO/NC	Plastic plug, M12, 4-pin	Plastic	VLQ18-D-NZT-C22CI
Through-beam radial type	0 ... 22m	Infrared light	10 ~30V/DC	PNP	NO/NC	Cable, 2 m, 4-wire	Plastic	VLQ18-D-PZT-C22YI
Through-beam radial type	0 ... 22m	Infrared light	10 ~30V/DC	NPN	NO/NC	Cable, 2 m, 4-wire	Plastic	VLQ18-D-NZT-C22YI

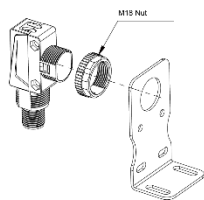
(1): Model marked on the Through-beam type with "E" for the emitter, with "D" for the receiver.

Mechanical dimensions (mm)

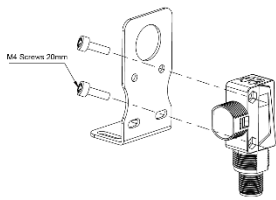
Sensor with M12 connector and integrated cable type



Front mounting

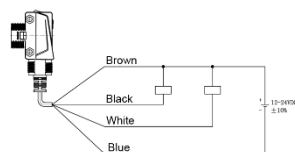


Side mounting

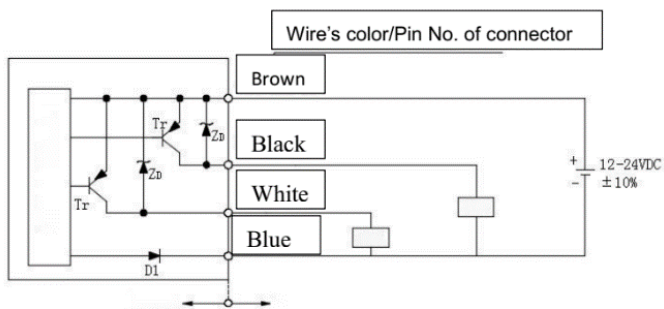
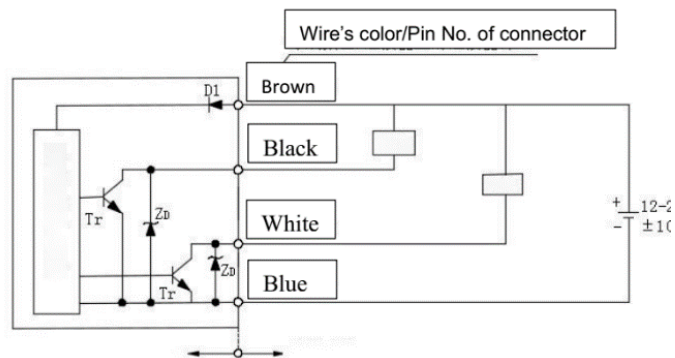
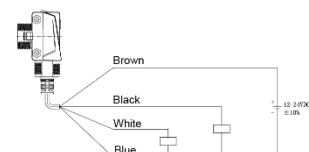


Wiring Diagram

NPN Output



PNP Output



Main circuit of sensor



Symbol···D1: Diode for power reverse connection protection

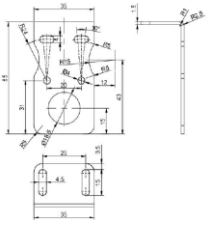
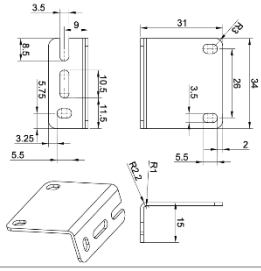
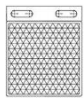
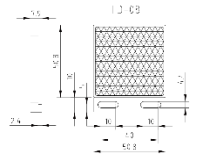

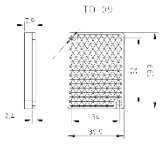
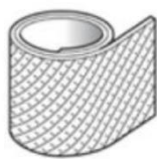
ZD: Zen-er diodes for surge voltage absorption

Tr: NPN output transistor

Options

Connect cable (2 cables are required for the Through-beam type)

Type	Model	Description		
Suitable for M12 plug-in connector type	 Straight type	V5-SM12-24-C2	Length: 2m	Clamping ring: $\phi 14$ mm
		V5-SM12-24-C5	Length: 5m	
	 L-shaped type	V5-SM12-24L-C2	Length: 2m	Cable outer: $\phi 4$ mm
		V5-SM12-24L-C5	Length: 5m	

Item	Model	Description
Sensor mounting bracket	VLQ18-ZJ-1  VLQ18-ZJ-2 	Material: Stainless steel
Reflector	TD-08  	50 x 50mm
	TD-09  	60 x 40mm
Reflective tape	FZ-12 	76 x 2800mm

CONTACT US

V5 Group Ltd.

Address: Yokneam Illit, Afek 11b, Israel

Web: www.v5-group.com

Email: info@v5-group.com

Phone: +972-532-860901



Note: We reserve the right to make technical changes or modify the contents of this document without prior notice. With regard to purchase orders, the agreed particulars shall prevail. V5 GROUP Ltd. does not accept any responsibility whatsoever for potential errors or possible lack of information in this document.

We reserve all rights in this document and in the subject matter and illustrations contained therein. Any reproduction, disclosure to third parties or utilization of its contents – in whole or in parts – is forbidden without prior written consent of V5 GROUP Ltd.